

ProLinear/PONTECH Inc. -- Quick240 Schematic

PONTECH chipKIT hardware files are licensed under the Creative Commons Attribution-ShareAlike license. This license allows for both personal and commercial derivative works, as long as proper credit is given to Digilent and the designs are released under the same license.

www.creativecommons.org/licenses/by-sa/3.0/

Reference designs are provided "AS IS" and "WITH ALL FAULTS". ProLinear/PONTECH Inc. disclaims all other warranties express or implied, regarding this product, including but not limited to, any implied warranties of merchantability or fitness for any particular application. ProLinear/PONTECH Inc. may make changes to specifications and product descriptions at any time, without notice.

Copyright 2013, ProLinear/PONTECH, Inc.

Attribution

This work is a direct result of remixing the Digilent Inc. chipKIT Max32 Schematic.

Much thanks to people at Digilent, Microchip and the chipKIT community for helping make this happen.

Special thanks (in no specific order) to Gene A., Keith U., Rick A., Mark S., Brian S., Marc M., Guy M., Jason K. and Rich T.

Copyright 2013, ProLinear/PONTECH, Inc.

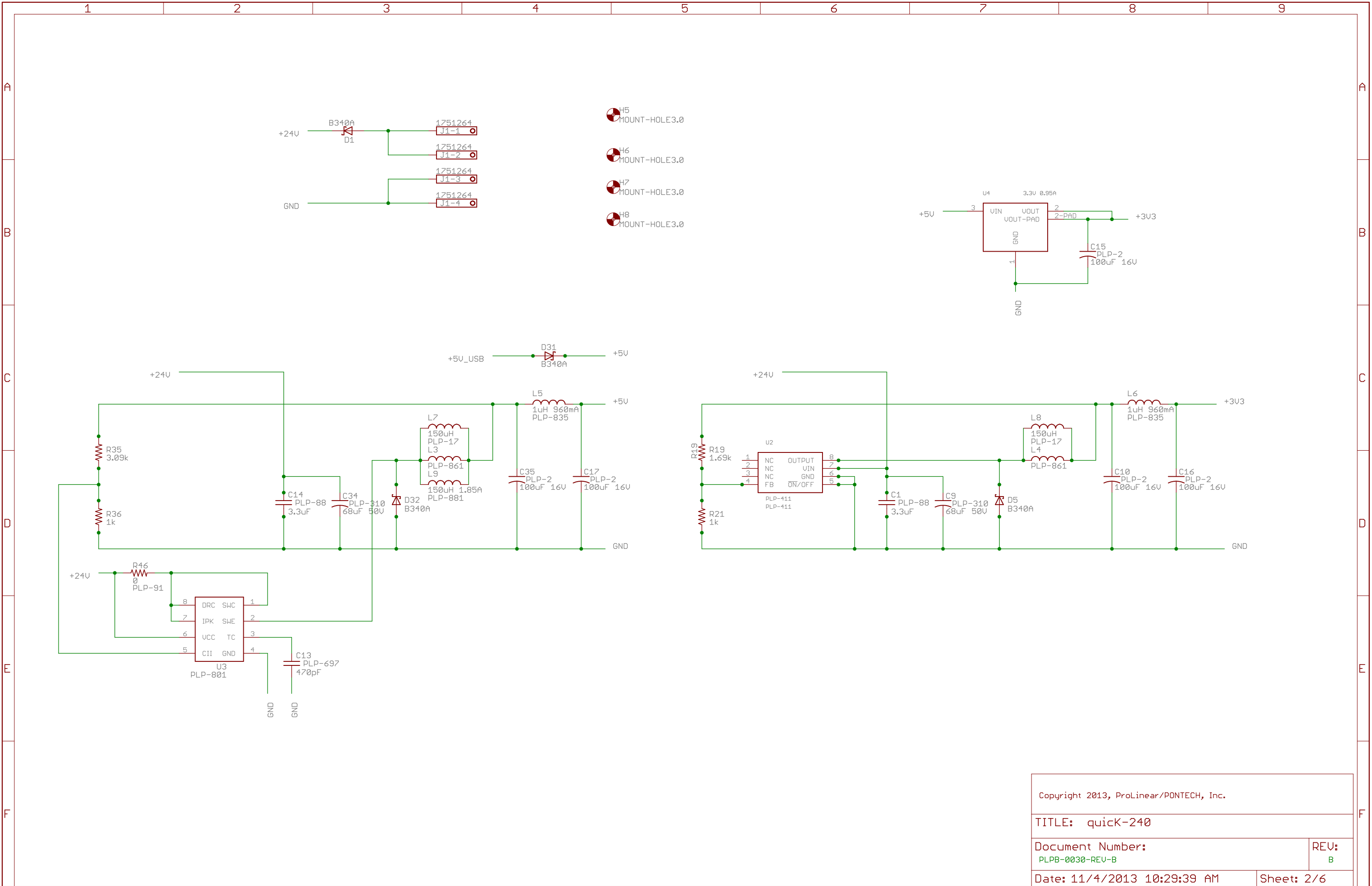
TITLE: quicK-240

Document Number:
PLPB-0030-REV-B

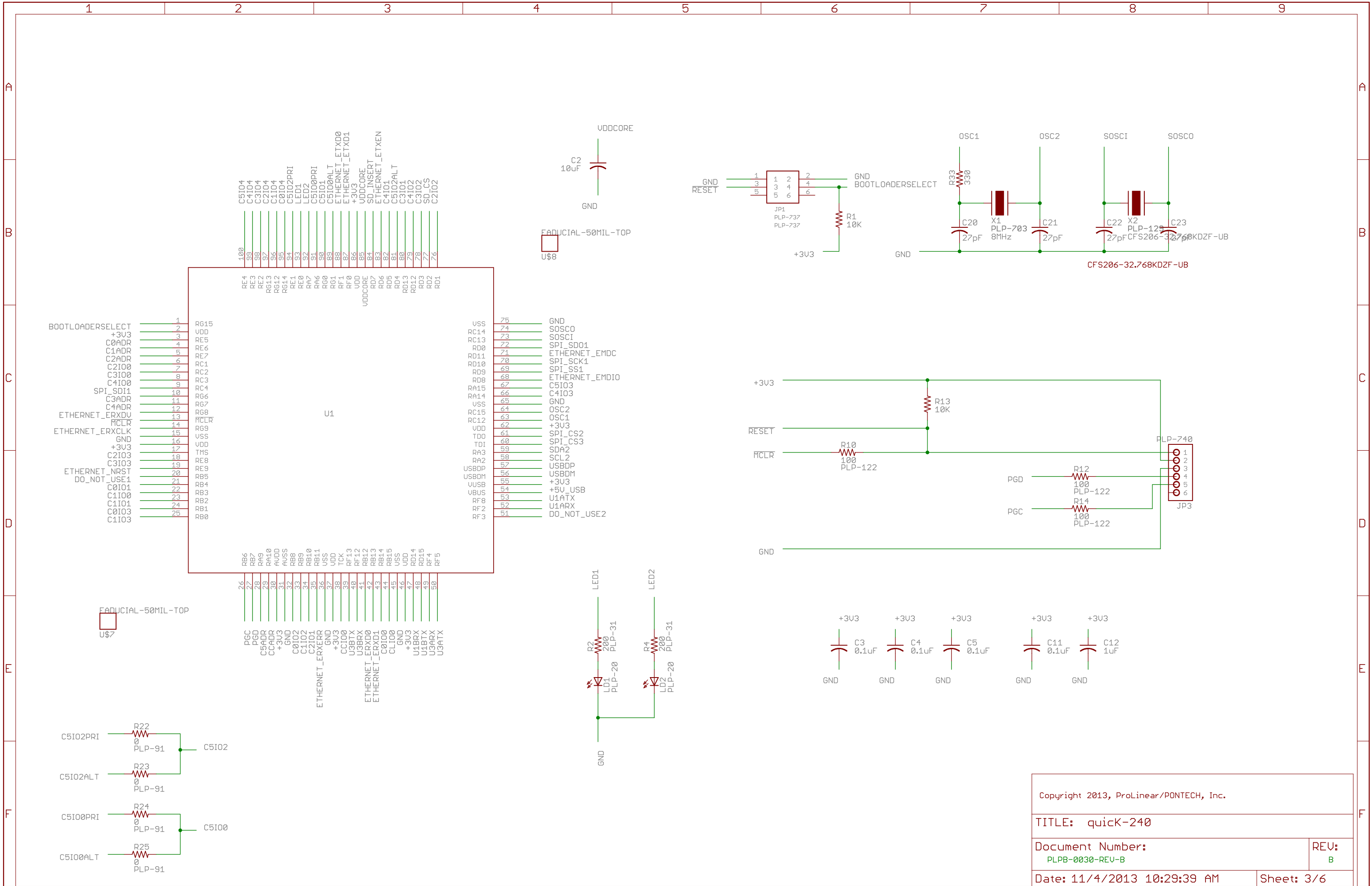
REV:
B

Date: 11/4/2013 10:29:39 AM

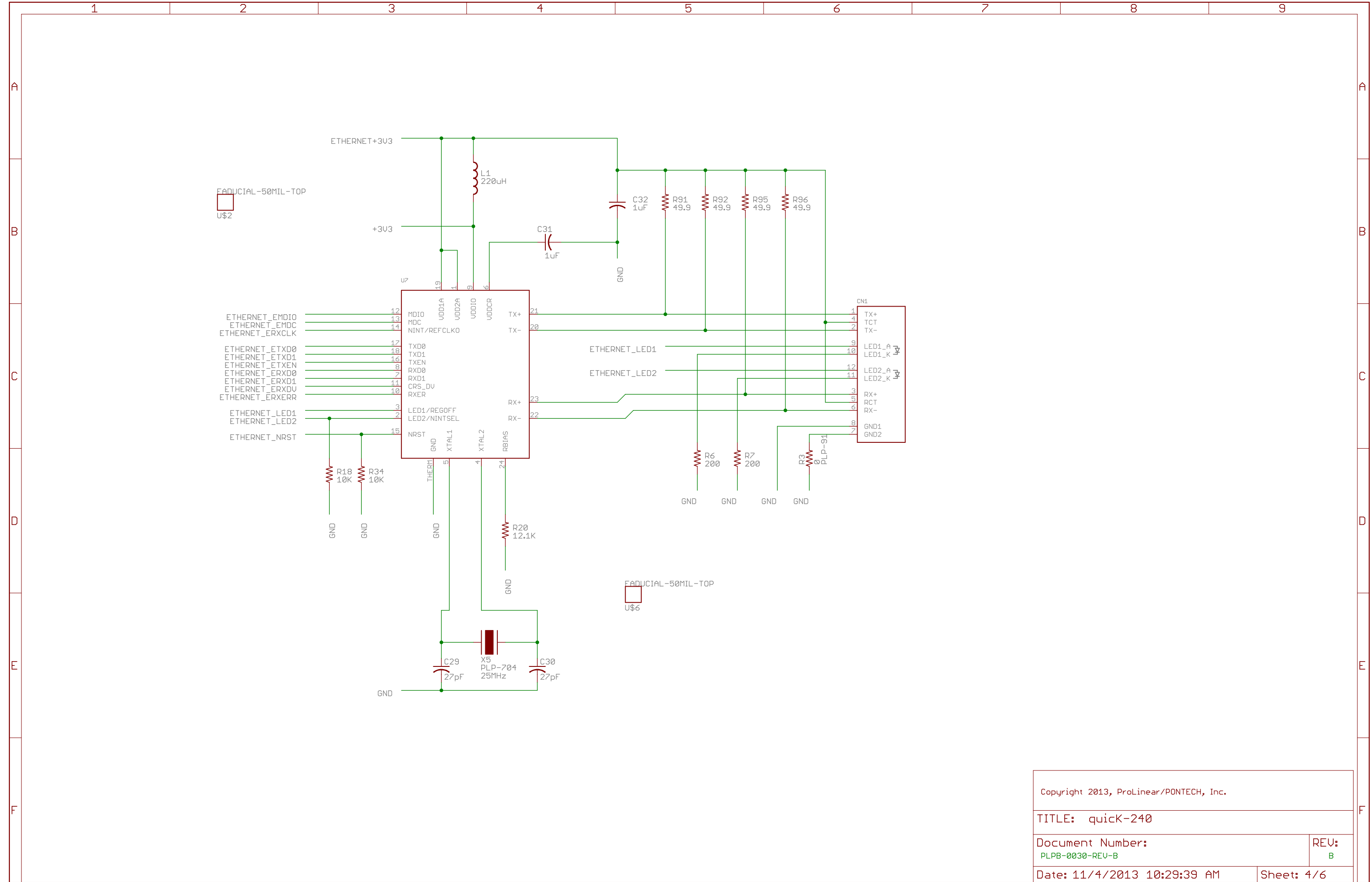
Sheet: 1/6



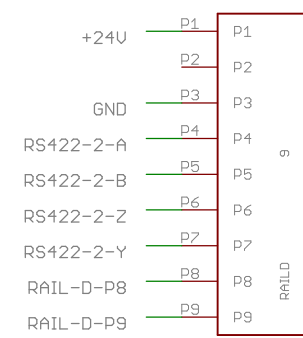
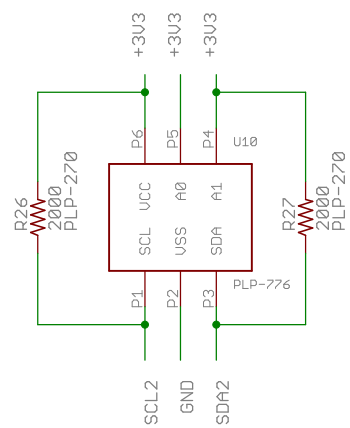
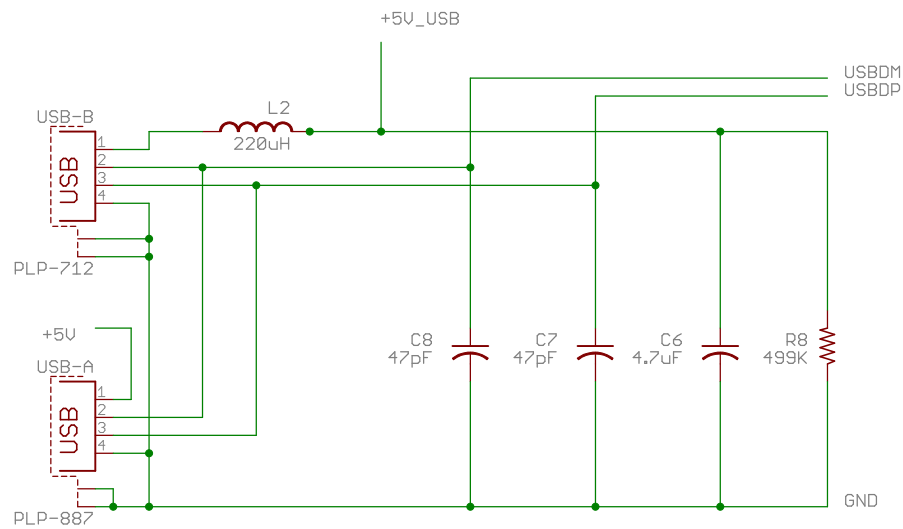
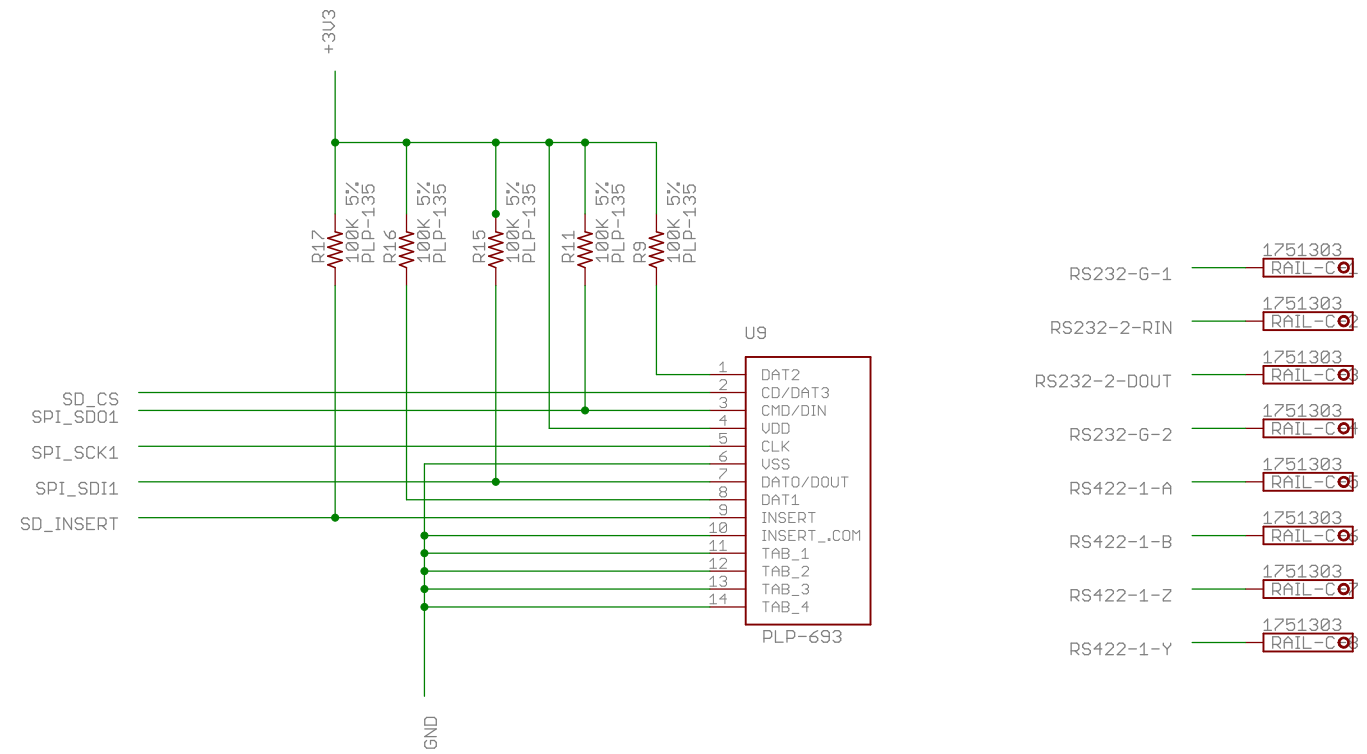
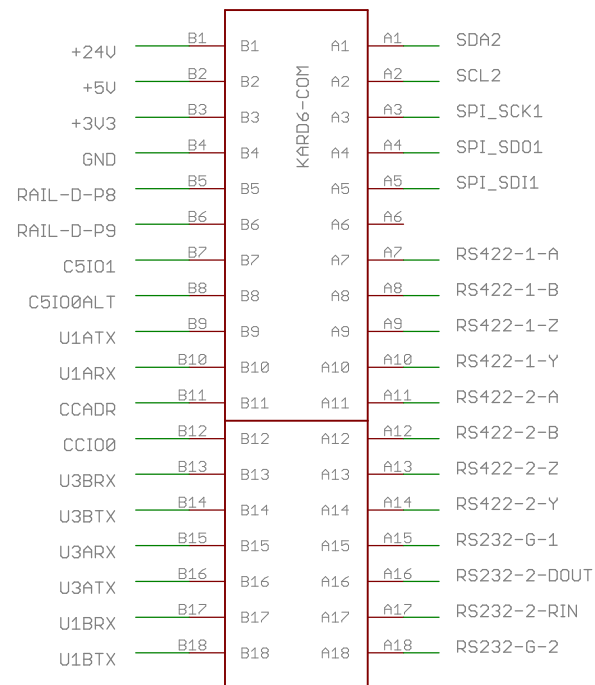
Copyright 2013, ProLinear/PONTECH, Inc.	
TITLE: quicK-240	
Document Number: PLPB-0030-REV-B	REV: B
Date: 11/4/2013 10:29:39 AM	Sheet: 2/6



Copyright 2013, ProLinear/PONTECH, Inc.	
TITLE: quicK-240	
Document Number: PLPB-0030-REV-B	REV: B
Date: 11/4/2013 10:29:39 AM	Sheet: 3/6



Copyright 2013, ProLinear/PONTECH, Inc.	
TITLE: quicK-240	
Document Number: PLPB-0030-REV-B	REV: B
Date: 11/4/2013 10:29:39 AM	Sheet: 4/6



Copyright 2013, ProLinear/PONTECH, Inc.

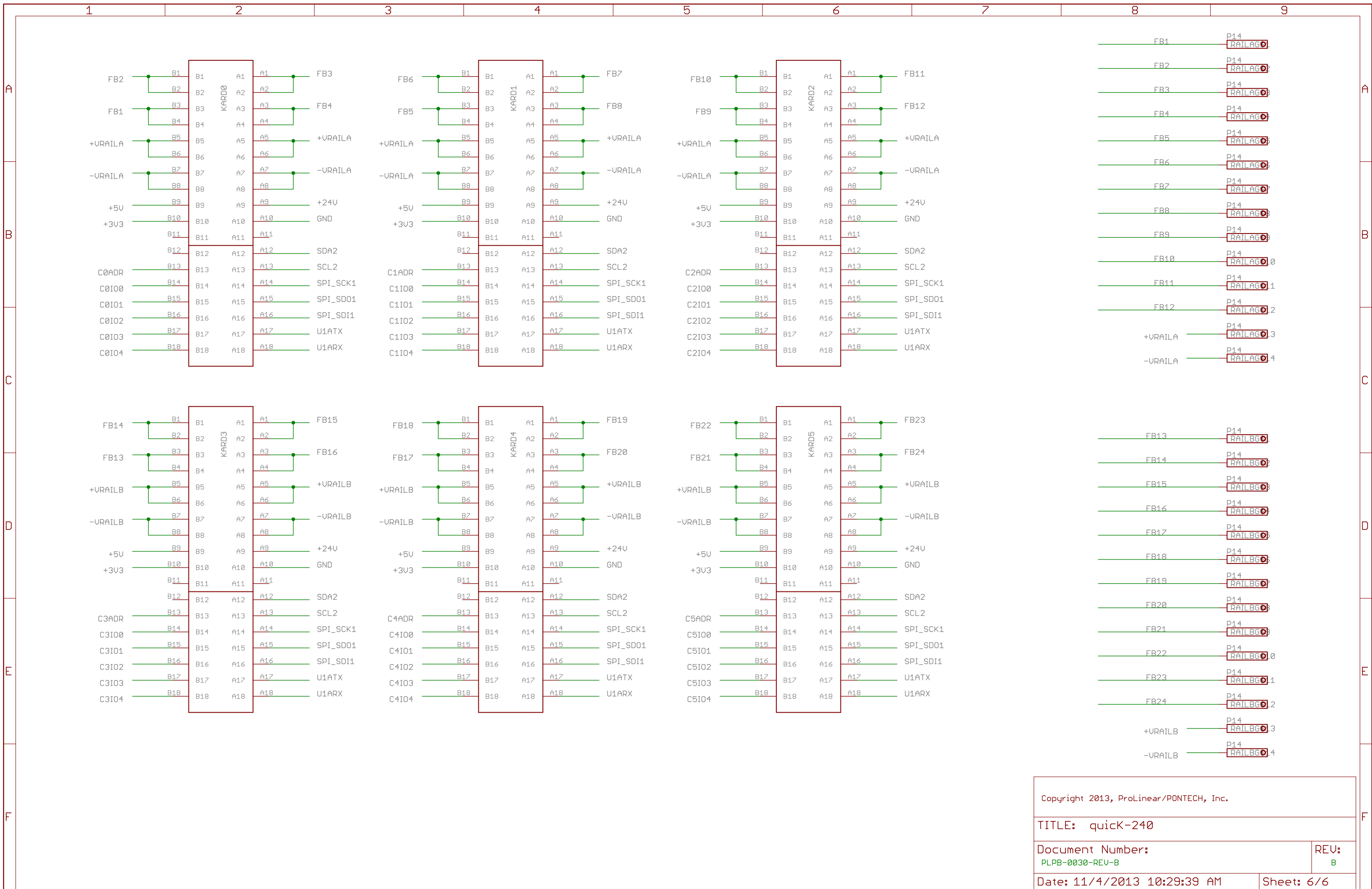
TITLE: quickK-240

Document Number: PLPB-0030-REV-B

Date: 11/4/2013 10:29:39 AM

REU: B

Sheet: 5/6



Copyright 2013, ProLinear/PONTECH, Inc.

TITLE: quicK-240

Document Number: PLPB-0030-REV-B

Date: 11/4/2013 10:29:39 AM

REV: B

Sheet: 6/6